

MTL660 Displays

Loop-powered indicators for hazardous areas

- Loop powered 4-20mA
- Field and panel mounting
- Environmental protection to IP67
- Easy to configure
- Number of displayed digits configurable
- Backlight options



The **MTL661, MTL662, MTL663 and MTL665 digital indicators** enable process variables to be displayed locally in hazardous and general purpose plant areas. A typical example would be the re-transmission of mass/flow computations from the safe area, through a suitable MTL IS interface to the indicator in the hazardous area.

The displays are loop powered from the 4-20mA process signal and their low voltage drop allows them to be installed in almost any 2-wire, 4-20mA transmitter loop.

All units can indicate measured values in a linear or a square root extraction mode; the latter being used, for example, to display flow from differential pressure measurement devices such as orifice plates, Dall tubes, or venturi.

The **MTL661 Field mounting unit is housed in a tough aluminium enclosure**, suitable for wall or pipe mounting. For corrosive atmospheres use the **MTL663** - the plastic case provides excellent resistance to harmful contaminants.

The **MTL665 is the panel mounted version** and is IP65, IP66, IP67 and NEMA4 rated.

MTL66x IS indicators are classified as 'non-energy storing' simple apparatus so they can be inserted into any IS loop without recertification.

MTL661, MTL662 & MTL663 I.S. INDICATORS

loop powered + backlight 'B' option

The MTL66x range offers a variety of field and panel mounting IS indicators to display the current flowing in a 4–20mA loop. The small voltage drop of <1V allows the loop powered display to be installed in almost any 4–20mA loop.

Configuration is carried out using the front panel switches (which can be password protected). Range units, upper and lower limits, decimal point positioning and number of digits displayed are all configured via the front panel.

SPECIFICATION

Unit location

Zone 0, IIC, T4 hazardous area

Display

5½ digits - 26mm height (process value)
Eleven 8mm digits (process units & current)

Voltage requirements under all conditions

<1V, loop powered

Ambient Temperature

Operating: -25°C to +70°C
Storage: -40°C to +80°C

Humidity

5-99%RH

Input range

4-20mA

Over-range

200mA maximum without damage

Display Range

-99999 to 199999 (Configurable)
Number of digits after decimal point configurable

Zero and span

Setting: anywhere in range

Scale direction

Normal or reverse: software selected.

Out of range indication

"— RANGE ERROR" displayed between 3.5 - 3.75mA
"99999 RANGE ERROR" displayed at current >22mA

Operating modes

Linear or square root extraction is software selectable.

Accuracy at 20°C

± 0.01mA

Effects of temperature on accuracy

Zero: ± 0.0025% of span /°C
Span: ± 0.01% of span /°C

Ripple rejection

<0.01mA error with 1mA peak to peak ripple at 50Hz

Electrical safety

The input circuit of the indicator is designed such that it does not influence the intrinsically safe circuit to which it is connected. (In the USA the application is covered by the entity concept.)
Input circuit (terminals 4 & 5) in type of explosion protection intrinsically safe Ex ia IIC, with the following parameters:
Ui=30V, Ii=200mA, Pi=1.2W, Ci=0nF, Li=0mH only for connection to a certified intrinsically safe circuit not exceeding these values.

Backlight (see Ordering Information & final page for details)

Separately powered backlight from an IS power source
(U_O = 28V, I_O = 200mA, P_O = 0.96W max.)

Dimensions

See final page



Showing backlight

ORDERING INFORMATION

When ordering a MTL661, MTL662 or MTL663, use one of the following order codes to uniquely specify your requirement.

Order code	Type	Backlight	Case material	Weight (nom.)	Case style
MTL661	Field	No	Aluminium	825g	A
MTL661B	Field	Yes	Aluminium	825g	A
MTL662	Panel	No	Aluminium	425g	B
MTL662B	Panel	Yes	Aluminium	425g	B
MTL663	Field	No	GRP	500g	A
MTL663B	Field	Yes	GRP	500g	A

MTL665

I.S. INDICATOR

loop powered + backlight 'B' option



The MTL665 is a DIN-standard, panel mounting, IS indicator to display the current flowing in a 4–20mA loop. The small voltage drop of <1V allows the loop powered display to be installed in almost any 4–20mA loop.

Configuration is carried out using the front panel switches (which can be password protected). Range units, upper and lower limits, decimal point positioning and number of digits displayed are all configured via the front panel.

SPECIFICATION

Unit location

Zone 0, IIC, T4 hazardous area

Display

5½ digits - 26mm height (process value)
Eleven 8mm digits (process units & current)

Voltage requirements under all conditions

<1V, loop powered

Ambient Temperature

Operating: -25°C to +70°C
Storage: -40°C to +80°C

Humidity

5-99%RH

Input range

4-20mA

Over-range

200mA maximum without damage

Display Range

-99999 to 199999 (Configurable)
Number of digits after decimal point configurable

Zero and span

Setting: anywhere in range

Scale direction

Normal or reverse: software selected.

Out of range indication

"---- RANGE ERROR" displayed between 3.5 - 3.75mA
"99999 RANGE ERROR" displayed at current >22mA

Operating modes

Linear or square root extraction is software selectable.

Accuracy at 20°C

± 0.01mA

Effects of temperature on accuracy

Zero: ± 0.0025% of span /°C
Span: ± 0.01% of span /°C

Ripple rejection

<0.01mA error with 1mA peak to peak ripple at 50Hz

Electrical safety

The input circuit of the indicator is designed such that it does not influence the intrinsically safe circuit to which it is connected. (In the USA the application is covered by the entity concept.)
Input circuit (terminals 4 & 5) in type of explosion protection intrinsically safe Ex ia IIC, with the following parameters:
U_i=30V, I_i=200mA, P_i=1.2W, C_i=0nF, L_i=0mH only for connection to a certified intrinsically safe circuit not exceeding these values.

Backlight (see Ordering Information & final page for details)

Separately powered backlight from an IS power source
(U₀ = 28V, I₀ = 200mA, P₀ = 0.96W max.)

Dimensions

See final page

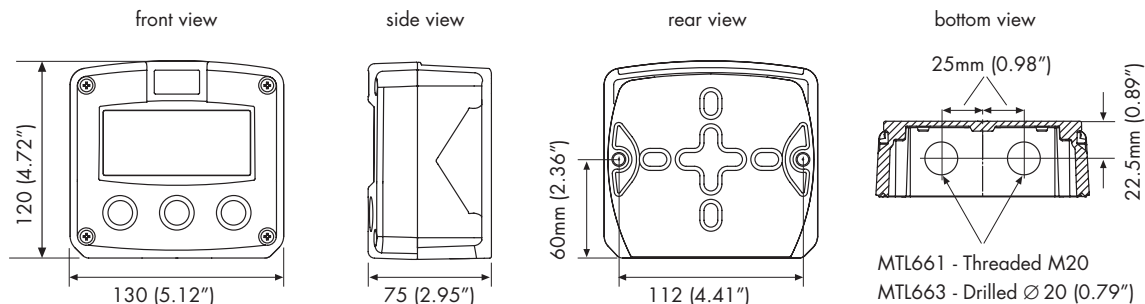
ORDERING INFORMATION

When ordering a MTL665 use one of the following order codes to uniquely specify your requirement.

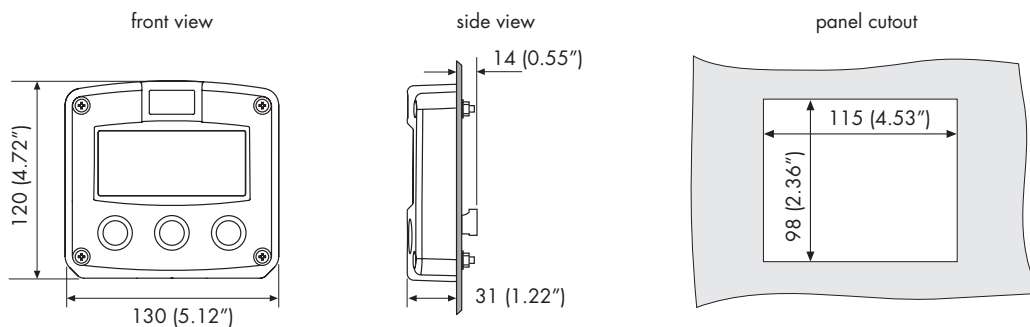
Order code	Type	Backlight	Case material	Weight (nom.)	Case style
MTL665	Panel	No	Aluminium	300g	C
MTL665B	Panel	Yes	Aluminium	300g	C

CASE DIMENSIONS (mm)

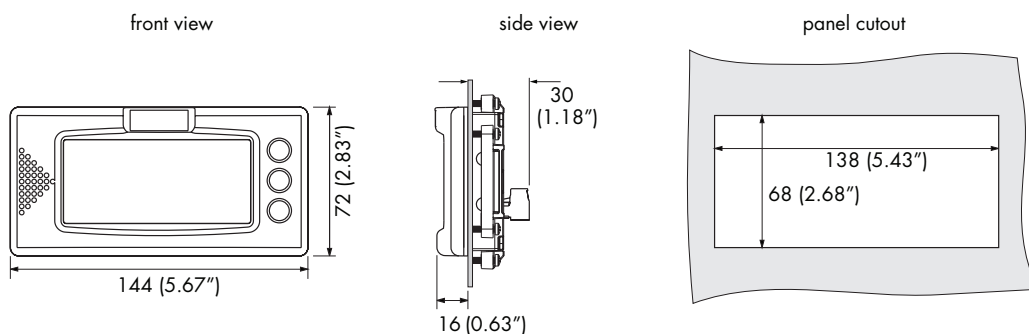
Style 'A'



Style 'B'



Style 'C'



ACCESSORIES

Order code	Description	Used with
WMP66	Wall mounting plate	MTL661/663
PMA66	Pipe mounting adaptor used with WMP66	MTL661/663
PIP66	Pipe mounting kit	MTL661/663
GAS660	Spare gaskets - pk of 10	MTL661/663
GAS665	Spare gaskets - pk of 10	MTL665

Recommended IS interfaces for powering display

- Input circuits (in series with transmitter)
MTL5541, MTL4541, MTL7787+
- Output circuits (direct connected or in series with field device)
MTL4546Y, MTL5546Y, MTL7728P+
- Recommended IS interfaces for powering backlight
MTL5521, MTL4521, MTL7728P+



Eaton Electric Limited,
Great Marlings, Butterfield, Luton
Beds, LU2 8DL, UK.
Tel: + 44 (0)1582 723633 Fax: + 44 (0)1582 422283
E-mail: mtlenquiry@eaton.com
www.mtl-inst.com

© 2021 Eaton
All Rights Reserved
Publication No. EPS660 Rev K 031121
November 2021

The given data is only intended as a product description and should not be regarded as a legal warranty of properties or guarantee.
In the interest of further technical developments, we reserve the right to make design changes.

EUROPE (EMEA):
+44 (0)1582 723633 mtlenquiry@eaton.com

THE AMERICAS:
+1 800 835 7075 mtl-us-info@eaton.com

ASIA-PACIFIC:
+65 6 645 9888 sales.mtlsing@eaton.com