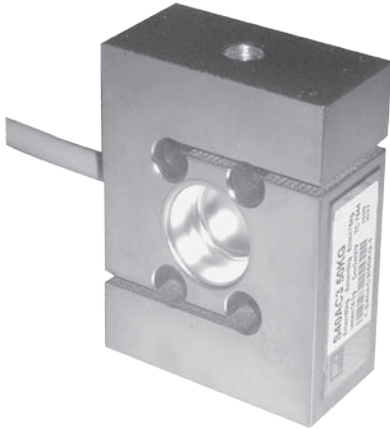


S40A...

Load cells

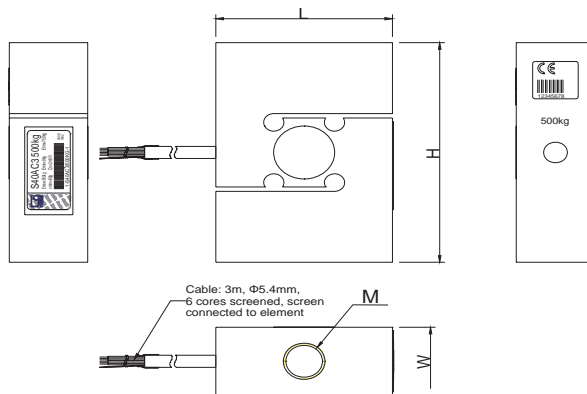
称重传感器



Special features 特点

- Small dimensions
- Max. capacities: 50kg ... 5t
- Stainless steel
- Tension and compressive application
- Protection class IP 68
- 最大量程：50kg...5t
- 不锈钢
- 拉压双向
- 保护等级 IP68

Dimensions (in mm; 1 mm= 0.03937 inches) 尺寸



(green) 绿	Sense (+) 反馈 (+)
(grey) 灰	Sense (-) 反馈 (-)
(black) 黑	Excitation (-) 激励 (-)
(white) 白	Signal (+) 信号 (+)
(blue) 蓝	Excitation (+) 激励 (+)
(red) 红	Signal (-) 信号 (-)
(-)	Shield / wire strand connected with housing
(yellow) 黄	屏蔽电缆连接到外壳

Capacity	L(mm)	H(mm)	W(mm)	M
50kg,	50.8	63.5	25.4	M8
100kg,200kg,	50.8	76.2	25.4	M12
500kg	57.2	87.3	31	M12
1t	57.2	87.3	31	M12
2t	69.8	100	36.5	M24× 2
3t	69.8	100	36.5	M24× 2
5t	76.2	114.3	36.5	M24× 2

Specifications 规格

Type 型号		S40A							
Accuracy Class 精度等级 (OIML R60)		D1				C3			
Minimum LC verification interval (v_{min}) 最小检定分度值		0.0286				0.0120			
Sensitivity (C_n) 灵敏度		2.0 ± 0.25							
Maximum capacity (E_{max}) 额定量程	kg	50,100,200,500,1000,2000,3000,5000							
Nominal Output 额定输出	mV/V	2.0 ± 0.25%							
Temperature effect on zero balance (TK ₀), (Accuracy class C3) 温度对零点的影响	% of C_n / 10 K	± 0.0400				± 0.0170			
Zero balance 零点平衡	mV/V	0.01							
Temperature effect on sensitivity (TK _C) ¹⁾ Temperature range: 温度对灵敏度的影响 +20 ... +40 °C [+70 ... +105 °F] -10 ... +20 °C [+15 ... +70 °F]	% of C_n / 10 K	± 0.0500				± 0.0140			
Non-linearity (d_{lin}) ¹⁾ 线性误差		± 0.0500				± 0.0180			
Hysteresis error (d_{hy}) ¹⁾ 滞后误差	% of E_{max}	± 0.0500				± 0.0170			
Minimum dead load output return (DR) 蠕变恢复		± 0.0500				± 0.0245/±0.0166			
Safe load limit (E_L) 安全负载	% of E_{max}	150							
Breaking load (E_d) 破坏负载		300							
Input resistance (R_{LC}) 输入电阻	Ω	350							
Output resistance (R_o) 输出电阻		350 ± 1.5							
Insulation resistance (R_{is}) at 100 V _{DC} 绝缘电阻	GΩ	> 5							
Reference excitation voltage (U_{ref}) 参考激励电压	V	5							
Max excitation voltage 最大激励电压		12							
Nominal temperature range (B _T) 额定外界温度	°C	-10 ... +40							
Service temperature range (B _{TU}) 工作温度		-30 ... +70							
Storage temperature range (B _{tl}) 存储温度		-50 ... +85							
Maximum capacity (E_{max}) 额定量程		50	100	200	500	1000	2000	3000	5000
Deflection at E_{max} (s_{nom}), approx. 最大载荷下变形量		0.15	0.15	0.15	0.15	0.25	0.38	0.38	0.46
Weight (G), approx. 重量	kg	0.6	0.7	0.7	1.1	1.1	1.7	1.7	2.2
Material 材料		Stainless steel							
Protection class 保护等级		IP68							