

Thermostat

KTS & KTC Series



Part Number Description

KTS & KTC - **1**

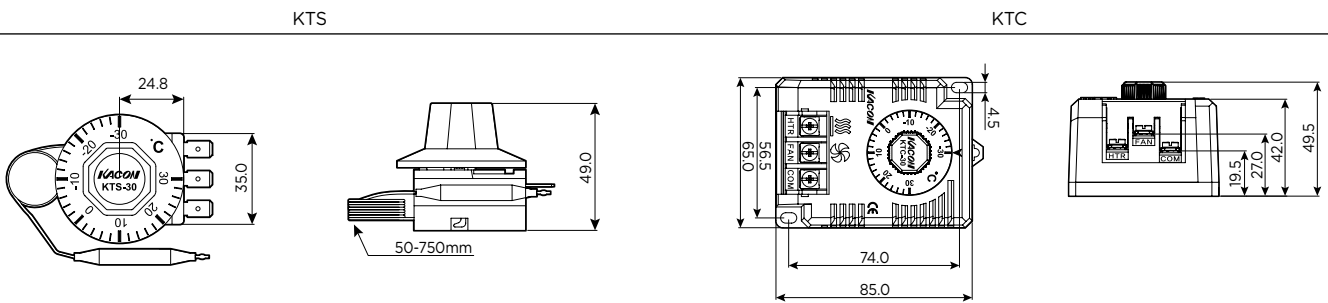
1 Temperature range	30 : -30°C - 30°C	50 : 0°C - 50°C	90 : 0°C - 90°C
	120 : 0°C - 120°C (KTS only)	200 : 0°C - 200°C (KTS only)	300 : 50°C - 300°C (KTS only)

General Specification

Rated Current	16A 250VAC	Model	Range	Tolerance	On/Off Difference
Control Temperature Range	-30°C - +320°C	KTS-30 KTC-30	-30°C - 30°C	±2.5K	2°C - 7°C
Life Cycle	Min. 100,000 hrs	KTS-50 KTC-50	0°C - 50°C	±3K	2°C - 9°C
Dielectric Strength	2,500V/1min.	KTS-90 KTC-90	0°C - 90°C	±3K	2°C - 9°C
Insulation Resistance	Min. 50MΩ	KTS-120	0°C - 120°C	±4K	2°C - 10°C
Contact Resistance	Max. 30mΩ	KTS-300	50°C - 300°C	±10K	5°C - 30°C

Dimension

unit : mm

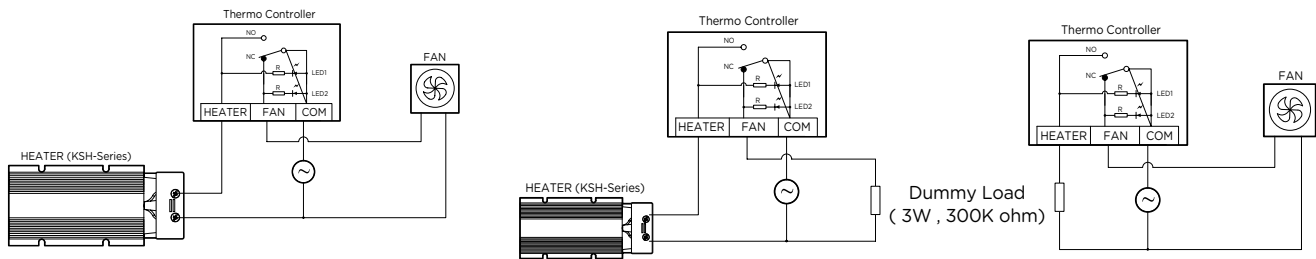


Diagram

Heater + fan

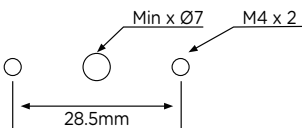
Heater

fan



* Heater or Fan Single operation caution : User shall have dummy load (more than 3W, 300K ohm) as above circuit diagram.
 * If the dummy load is not connected it is cause of wrong lamp operation.

Panel Cut-Out



Rev. 2/14

Data subject may change without notice.

www.kacon.co.kr

Industrial Controls Catalog

IV - 77

