



### General Specifications

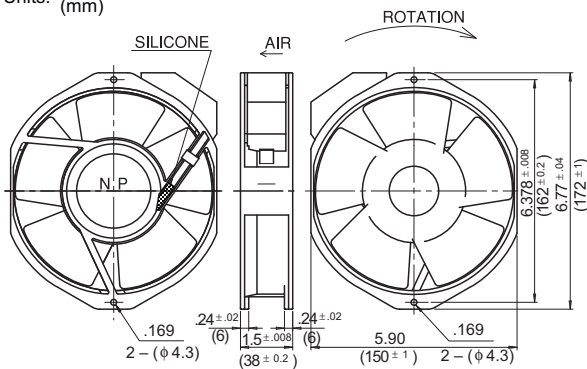
- Motor Protection:** Thermal Protect
- Motor Structure:** Capacitor-Run Induction Motor
- Insulation Resistance:** 100M  $\Omega$  or over with a DC500V Megger
- Dielectric Withstand Voltage:** AC 1800V 3s
- Allowable Ambient Temperature Range:**
  - 10°C ~ +70°C (Operating)
  - 40°C ~ +70°C (Storage)
  - (non-condensing environment)

### Expected Life

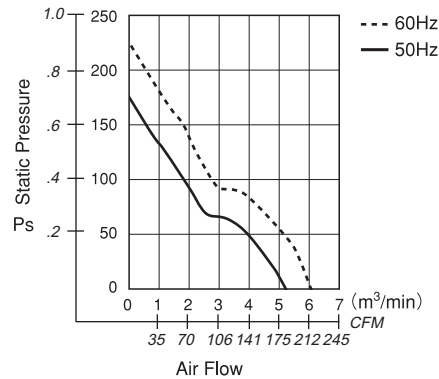
**Failure Rate: 10%**  
25°C 100,000 Hours

### Outline

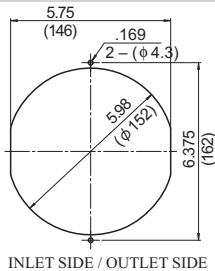
Units:  $\frac{\text{inch}}{\text{mm}}$



### Characteristic Curves



### Panel Cut-outs



INLET SIDE / OUTLET SIDE

### Material

- Casing :** Aluminum
- Impeller :** Polycarbonate (Class Fiber-Containing)
- Bearing :** Ball Bearings
- Terminal:** Faston #110 or Equiv

### Specifications

MODEL	Rated Voltage	Frequency	Starting Voltage	Current	Input Power	Speed	Max. Air Flow	Max. Static Pressure	Noise	Mass
	(V)	(Hz)	(V)	(A) <sup>*1</sup>	(W)+10/-20%	(min <sup>-1</sup> ) <sup>*3</sup>	(CFM) <sup>*3</sup> (m <sup>3</sup> /min) <sup>*3</sup>	(in H <sub>2</sub> O) <sup>*3</sup> (Pa) <sup>*3</sup>	(dB) <sup>*2</sup>	(g)
5915PC-10T-B30-BM0	100	50	65	0.47	37.0	2700	176.50 5.00	.628 157.0	52.0	850
		60		0.44	33.0	3200	211.80 6.00	.863 215.8	56.0	
5915PC-12T-B30-AM0	115	50	75	0.38	35.0	2700	176.50 5.00	.628 157.0	52.0	
		60		0.36	32.0	3200	211.80 6.00	.863 215.8	56.0	
5915PC-20T-B30-BM0	200	50	130	0.23	34.0	2700	176.50 5.00	.628 157.0	52.0	
		60		0.21	33.0	3200	211.80 6.00	.863 215.8	56.0	
5915PC-22T-B30-BM0	220	50	145	0.21	40.0	2700	176.50 5.00	.628 157.0	52.0	
		60		0.18	38.0	3200	211.80 6.00	.863 215.8	56.0	
5915PC-23T-B30-AM0	230	50	150	0.19	35.0	2700	176.50 5.00	.628 157.0	52.0	
		60		0.18	35.0	3200	211.80 6.00	.863 215.8	56.0	
5915PC-24T-B30-AM0	240	50	155	0.18	34.0	2700	176.50 5.00	.628 157.0	52.0	
		60		0.17	34.0	3200	211.80 6.00	.863 215.8	56.0	

Rotation: Counterclockwise as seen from the label side.  
Airflow Outlet: Label side

\*1: Maximum Values in Free Air \*3: Minimum Values in Free Air  
\*2: Average Values in Free Air