

## PROPORTIONAL AMPLIFIER, SNAP-ON

Art.No.: 7000-31261-0000000

Weight: 0.094 kg

Country of origin: CZ

Model designation: MCVO - Proportional amplifier 24VDC

Control electronics for proportional valves

18...32 V DC, smoothed (2200  $\mu$ F/1 A)

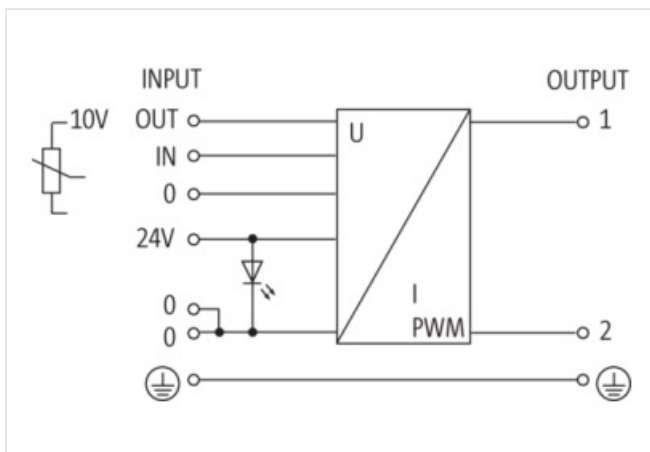
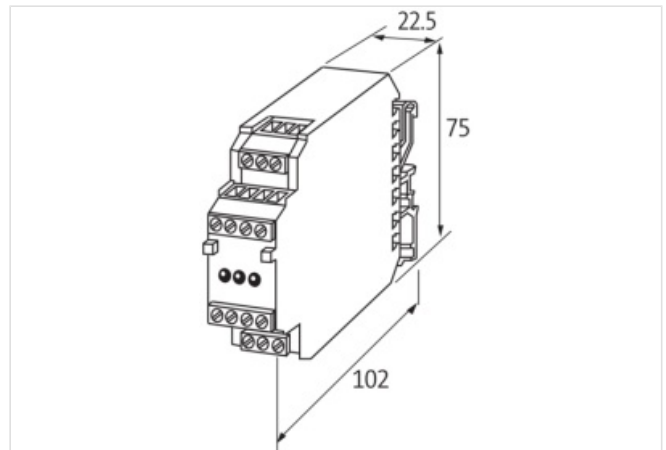
Screw terminals

Start-up: 10 s

The amplifier regulates the current supply to a proportional valve. This current is proportional to the set-point on the amplifier's input. A voltage output of 10 V is available for set-point adjustment. Zero point, current, and ramp time can be set with the potentiometer. In connection with a proportional valve, a pressure or a quantity can be set in a continuously adjustable way.

### Link to Product

#### Illustration



Product may differ from Image

#### Commercial data

URL Webshop	<a href="https://shop.murrelektronik.com/7000-31261-0000000">https://shop.murrelektronik.com/7000-31261-0000000</a>
customs tariff number	85437090
EAN	4048879186810
Packaging unit	1

#### Electrical data | Supply

The information in this Product-PDF has been compiled with the utmost care.

Liability for the correctness completeness and topicality of the information is restricted to gross negligence. Version: 2026-03-30

Murrelektronik GmbH | Grabenstraße 29 | 71570 Oppenweiler | Fon +49 (71 91) 47-0 | Fax +49 (71 91) 47-491000 | [shop@murrelektronik.com](mailto:shop@murrelektronik.com) | [shop.murrelektronik.com](http://shop.murrelektronik.com)

Operating voltage DC min.	18 V
Operating voltage DC max.	32 V
Operating current max.	2,5 A
Current consumption max.	50 mA

**Electrical data | Input**

Resistance input min.	200 kΩ
Control voltage DC min.	0 V
Control voltage DC max.	10 V

**Electrical data | Output**

Output voltage adjustable	No
Output voltage DC	24 V
Output current	2,5 A

**Diagnostics**

Status indication LED	green
-----------------------	-------

**Installation | Connection**

Connection	Screw terminals SK
------------	--------------------

**Device protection | Electrical**

Short-circuit protection output	Yes
Overtemperature protection output	Yes

**Mechanical data | Mounting data**

Height	75 mm
Width	22,5 mm
Depth	102 mm
Mounting method	geschnappt
Suitable for mounting type	(EN 60715), mounting rail

**Environmental characteristics | Climatic**

Operating temperature min.	-20 °C
Operating temperature max.	60 °C